

Products /  **CASTALDI** / TARZAN D17 / D17 TARZAN / D17/3-71MB-SS

TARZAN D17 D17/3-71MB-SS

TECHNICAL DATA

GENERAL



Item code	D17/3-71MB-SS
Place installation	outdoor
Name	D17 TARZAN / D17/3-71MB-SS underwater
Note	Submerged operation - max allowed depth 10m.
Standard colour	SS - stainless steel
Environments	urban landscape, wellness, hallway



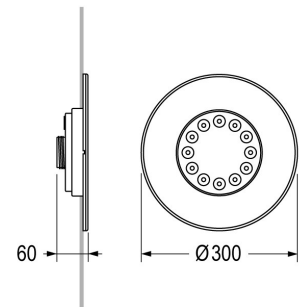
PHYSICAL

Installation type	underwater
Seals	Resin sealed luminaire.
Body	Injection moulded high stress resistant composite technopolymer niche and floodlight. Fixing: Stainless steel adaptable springs.



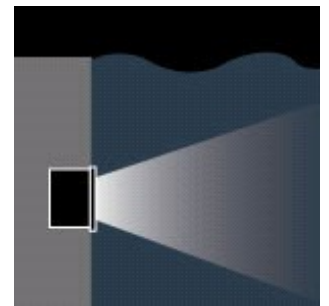
DIMENSIONS

D: Total diameter device (mm)	300
Built-in depth (mm)	60



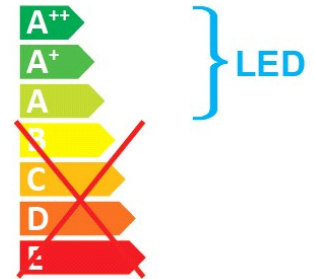
OPTICAL SYSTEMS

Opening beam	medium
Optical System	Optical system with PMMA lenses.



ENERGY SAVING

This luminaire contains built-in LED lamps
The lamps cannot be changed in the luminaire



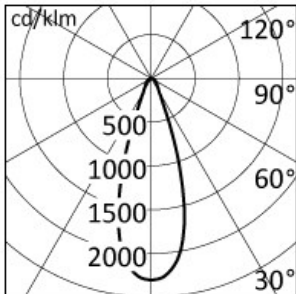
SOURCES

Source Type	Source Power	System Power	Source	Lamp Socket	Sources Temperature Colour	Nominal Flux	Output Flux	MacAdam
LED	-	18W	-	-	10000K CRI>70	-	1200 lm	-

ELECTRICAL

Ballast type	ON-OFF.
Mounting ballast type	Remote
Line input	Pre-wired, with sealed 2m long cable in compliance with HD22-16.S1/AD8, cable 2x1,5mm ² .
Voltage	12V

PHOTOMETRICS



NORMS / DIRECTIVES

Norms	EN 60598-1, EN 60598-2-18
Directives	2014/35/UE, 2014/30/UE

ACCESSORIES

OPTIONAL ACCESSORIES

Electrical

Accessory code PSU/E118

Technical description ON-OFF power supply IP67 24W - Vin=220-240V Vout=12V.

Rough-in housing

Accessory code D17/3-BOX

Technical description Niche for installation into fibreglass or vinyl liner pool.